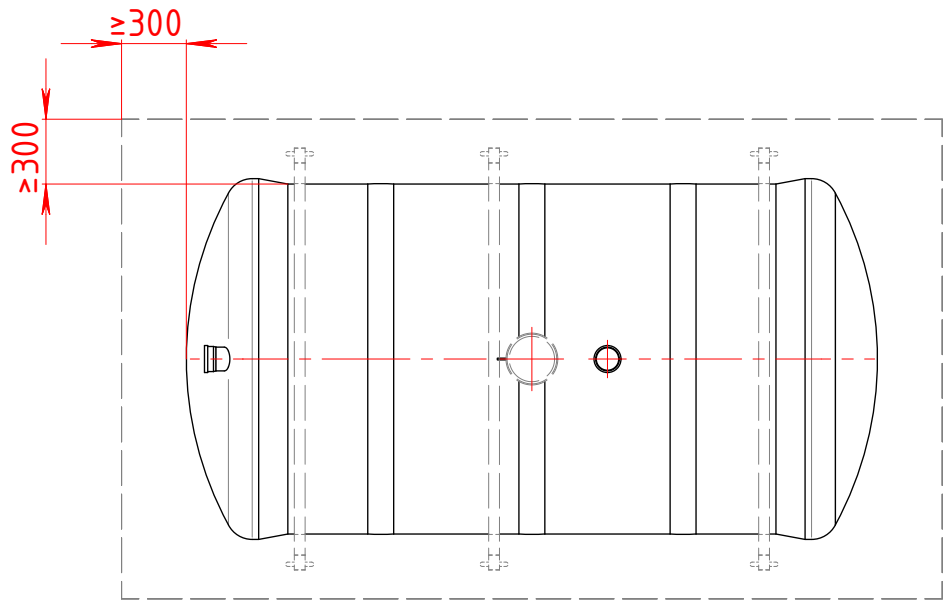
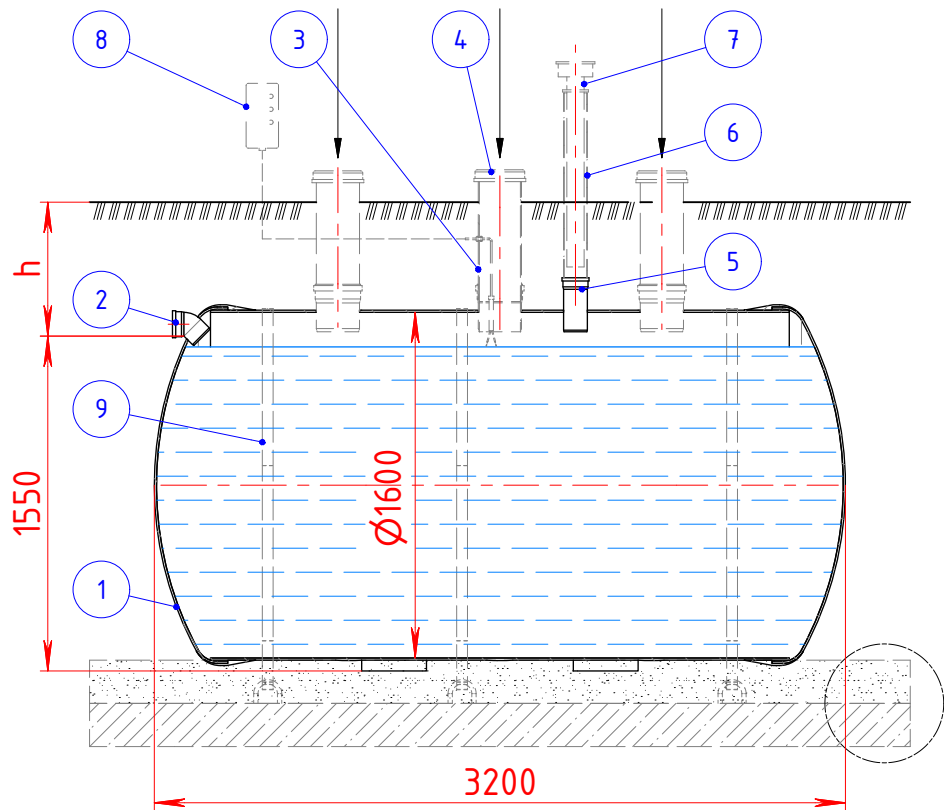


Mark the location of the maintenance shaft
(tick appropriate box)



h = _____ mm (installation height, max. 2000 mm)

| | | | |
|---|---|-----------------------------------|-----|
| 1 | Cesspool MK-6 | $\varnothing 1600 \times 3200$ mm | 1 |
| | Glass-reinforce plastic (GRP) "Vesmaco Composite", pH 3-10, heat resistance max 40°C | | |
| | Total volume | 6000 l | |
| 2 | Inlet pipe | PVC D110 | 1 |
| 3 | Maintenance shaft (tick appropriate box) | | 1 |
| | Shaft $\varnothing 200$, h= 500...1000 mm <input type="checkbox"/> | | |
| | OPTION: Shaft $\varnothing 400$, h= 500...1500 mm <input type="checkbox"/> | | |
| | OPTION: Shaft $\varnothing 600$, h= 1000...2000 mm <input type="checkbox"/> | | |
| 4 | Cover (tick if appropriate) | | (1) |
| | Plastic cover <input type="checkbox"/> | | |
| | OPTION: Cover (EN 124) — A15 <input type="checkbox"/> / B125 <input type="checkbox"/> / C250 <input type="checkbox"/> / D400 <input type="checkbox"/> | | |
| 5 | Ventilation pipe connection | PVC D110 | 1 |
| 6 | OPTION: Ventilation pipe <input type="checkbox"/> (tick if appropriate) | PVC D110 | (1) |
| 7 | OPTION: Anti-odour air filter <input type="checkbox"/> (tick if appropriate) | | (1) |
| 8 | OPTION: High level alarm device <input type="checkbox"/> (tick if appropriate) | | (1) |
| 9 | Anchor strap with tensioner | | 3 |

Approved by the client:
 _____ 20_____
 (date) (client's representative)

For installation instructions, check "Installation Manual for Underground Horizontal Tanks of Glass-Reinforced Plastics (GRP)" or special instructions provided with the product.
 Positions of anchoring and anchor straps are shown as example and might vary from those required in your case.
 Vesmaco OÜ reserves the right to make unilaterally changes.

Title, Supplementary title
Cesspool MK-6 A3 1 : 35

Vesmaco
 Vesmaco OÜ
 Katusepapi 6, 11412 Tallinn, Estonia
 www.vesmaco.ee

Document type: General assembly drawing
 Document status: Customer drawing
 Article number: 910016060
 Date of issue: 08.07.2020
 EN 1/1

MK-6-D1600-L3200_EN