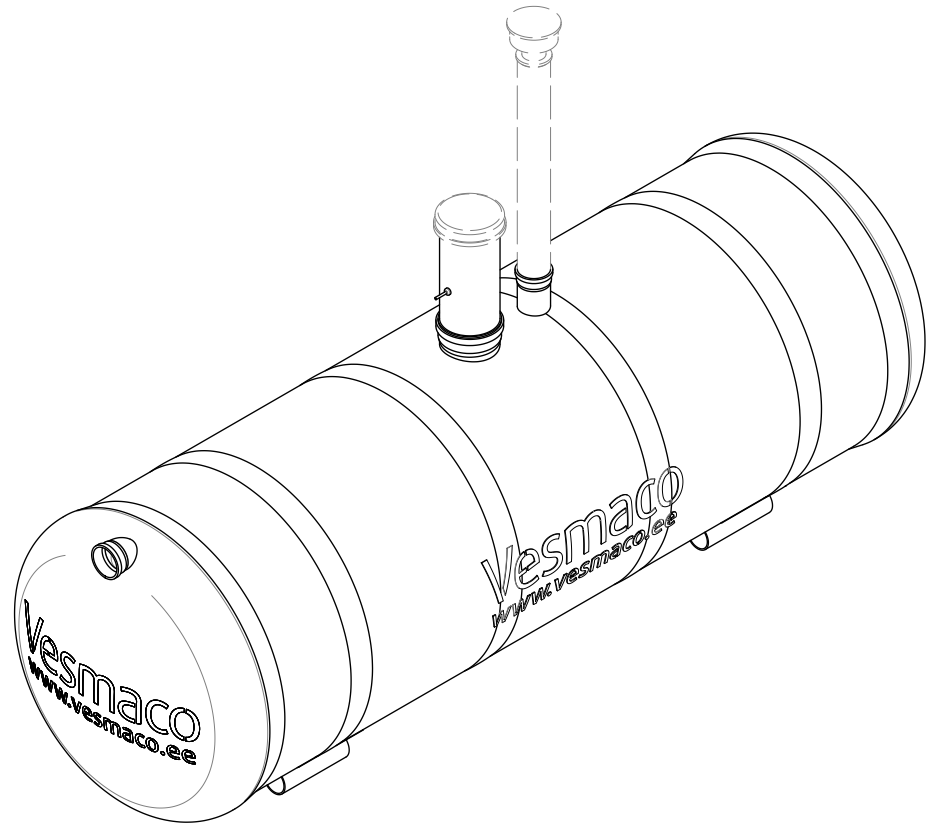
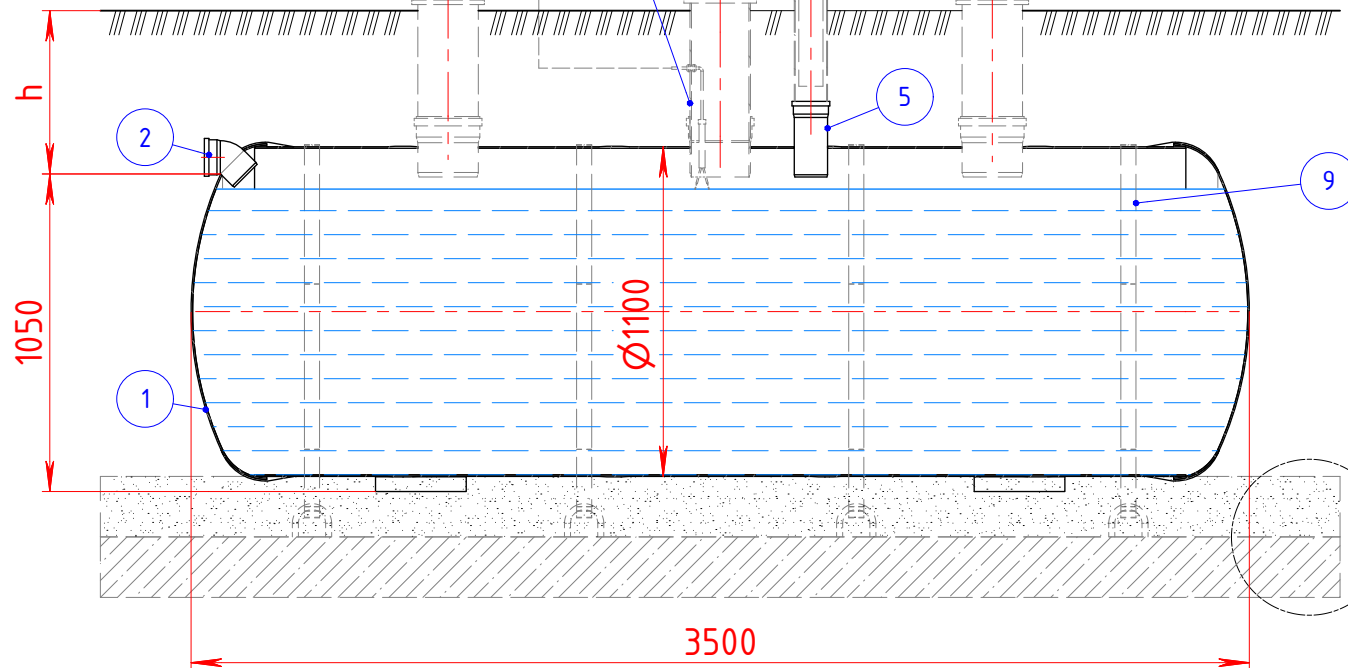


Mark the location of the maintenance shaft
(tick appropriate box)



h = _____ mm (installation height, max. 2000 mm)

1	Cesspool MK-3	Ø1100×3500 mm	1
	Glass-reinforce plastic (GRP) "Vesmaco Composite", pH 3-10, heat resistance max 40°C		
	Total volume	3000 l	
2	Inlet pipe	PVC D110	1
3	Maintenance shaft (tick appropriate box)		1
	Shaft Ø200, h= 500...1000 mm <input type="checkbox"/>		
	OPTION: Shaft Ø400, h= 500...1500 mm <input type="checkbox"/>		
	OPTION: Shaft Ø600, h= 1000...2000 mm <input type="checkbox"/>		
4	Cover (tick if appropriate)		(1)
	Plastic cover <input type="checkbox"/>		
	OPTION: Cover (EN 124) — A15 <input type="checkbox"/> / B125 <input type="checkbox"/> / C250 <input type="checkbox"/> / D400 <input type="checkbox"/>		
5	Ventilation pipe connection	PVC D110	1
6	OPTION: Ventilation pipe (tick if appropriate)	PVC D110	(1)
7	OPTION: Anti-odour air filter (tick if appropriate)		(1)
8	OPTION: High level alarm device (tick if appropriate)		(1)
9	Anchor strap with tensioner		4

Title, Supplementary title
Cesspool MK-3 A3 1 : 25

<h1>Vesmaco</h1> <p>Vesmaco OÜ Katusepapi 6, 11412 Tallinn, Estonia www.vesmaco.ee</p>	MK-3-D1100-L3500_EN	
	Document type General assembly drawing	Document status Customer drawing
	Article number 910011030	Date of issue 07.07.2020

Approved by the client:
_____ 20_____
(date) (client's representative)

For installation instructions, check "Installation Manual for Underground Horizontal Tanks of Glass-Reinforced Plastics (GRP)" or special instructions provided with the product.
Positions of anchoring and anchor straps are shown as example and might vary from those required in your case.
Vesmaco OÜ reserves the right to make unilaterally changes.