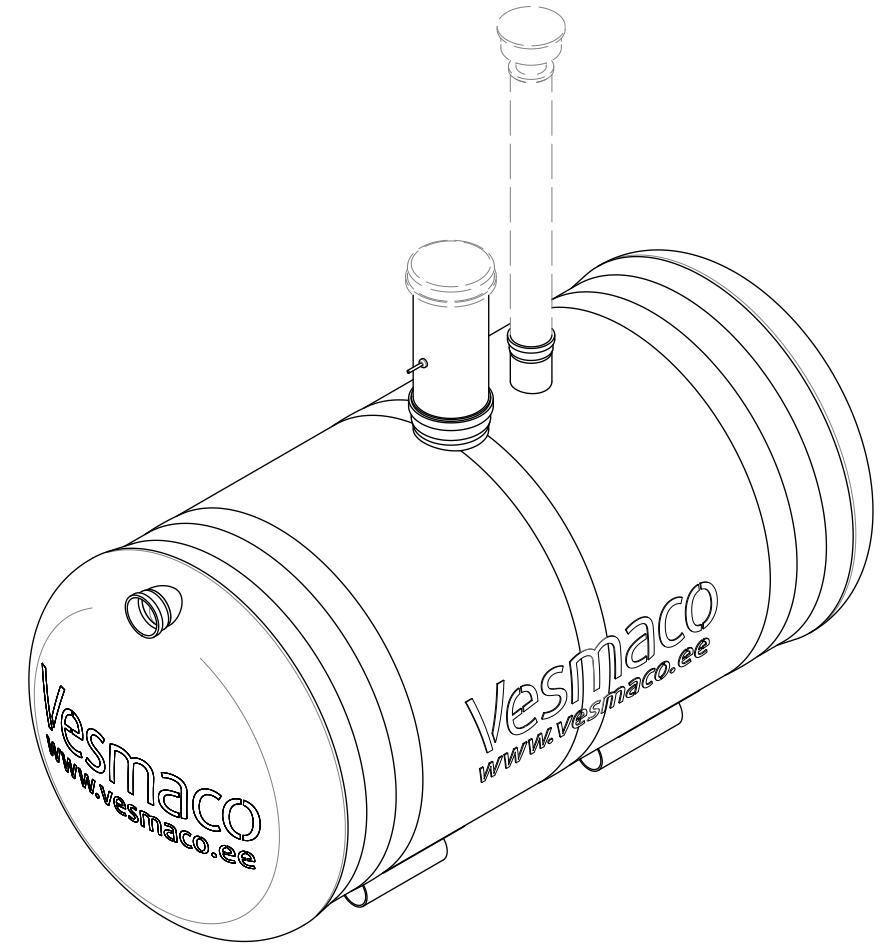
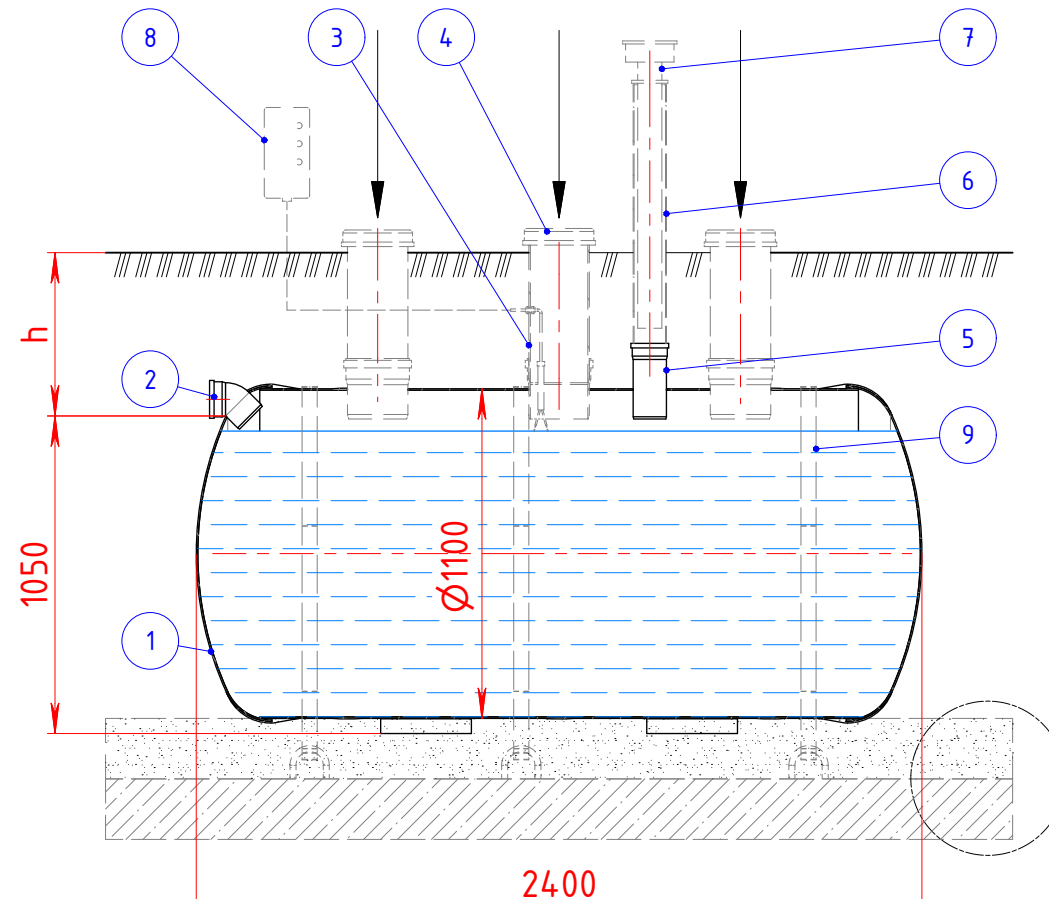
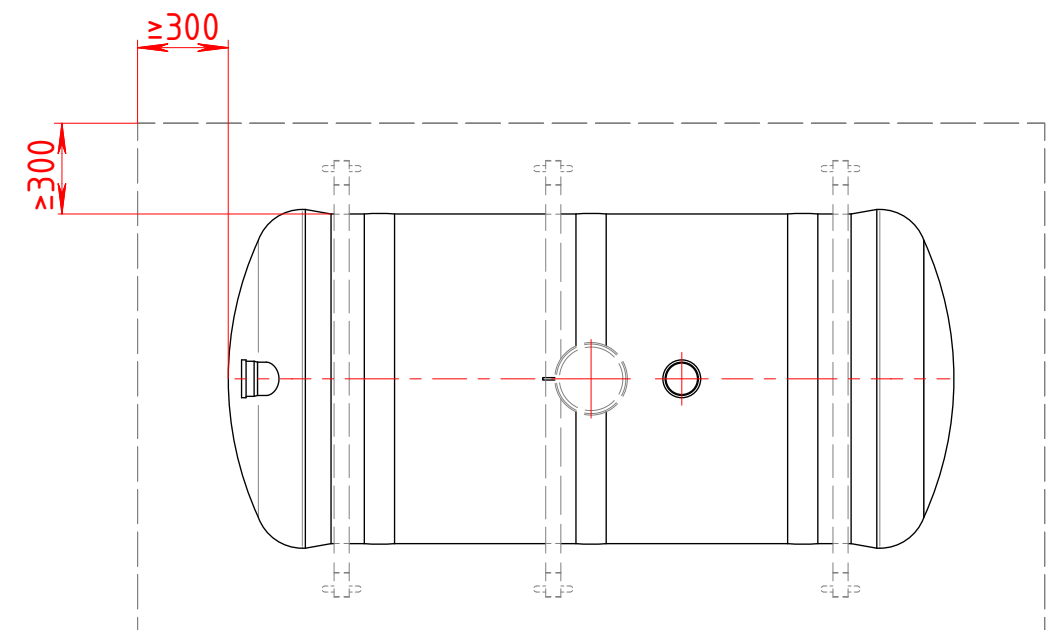


Mark the location of the maintenance shaft  
(tick appropriate box)



h = \_\_\_\_\_ mm (installation height, max. 2000 mm)



1	Cesspool MK-2	Ø1100×2400 mm	1
	Glass-reinforce plastic (GRP) "Vesmaco Composite", pH 3-10, heat resistance max 40°C		
	Total volume	2000 l	
2	Inlet pipe	PVC D110	1
3	Maintenance shaft (tick appropriate box)		1
	Shaft Ø200, h= 500...1000 mm <input type="checkbox"/>		
	OPTION: Shaft Ø400, h= 500...1500 mm <input type="checkbox"/>		
	OPTION: Shaft Ø600, h= 1000...2000 mm <input type="checkbox"/>		
4	Cover (tick if appropriate)		(1)
	Plastic cover <input type="checkbox"/>		
	OPTION: Cover (EN 124) — A15 <input type="checkbox"/> / B125 <input type="checkbox"/> / C250 <input type="checkbox"/> / D400 <input type="checkbox"/>		
5	Ventilation pipe connection	PVC D110	1
6	OPTION: Ventilation pipe <input type="checkbox"/> (tick if appropriate)	PVC D110	(1)
7	OPTION: Anti-odour air filter <input type="checkbox"/> (tick if appropriate)		(1)
8	OPTION: High level alarm device <input type="checkbox"/> (tick if appropriate)		(1)
9	Anchor strap with tensioner		3

Approved by the client:  
 \_\_\_\_\_ 20\_\_\_\_\_  
 (date) (client's representative)

For installation instructions, check "Installation Manual for Underground Horizontal Tanks of Glass-Reinforced Plastics (GRP)" or special instructions provided with the product.  
 Positions of anchoring and anchor straps are shown as example and might vary from those required in your case.  
 Vesmaco OÜ reserves the right to make unilaterally changes.

Title, Supplementary title  
**Cesspool MK-2** A3 1 : 25

**Vesmaco**  
 Vesmaco OÜ  
 Katusepapi 6, 11412 Tallinn, Estonia  
 www.vesmaco.ee

MK-2-D1100-L2400\_EN

Document type	Document status
General assembly drawing	Customer drawing
Article number	Date of issue
910011020	07.07.2020
	EN 1/1