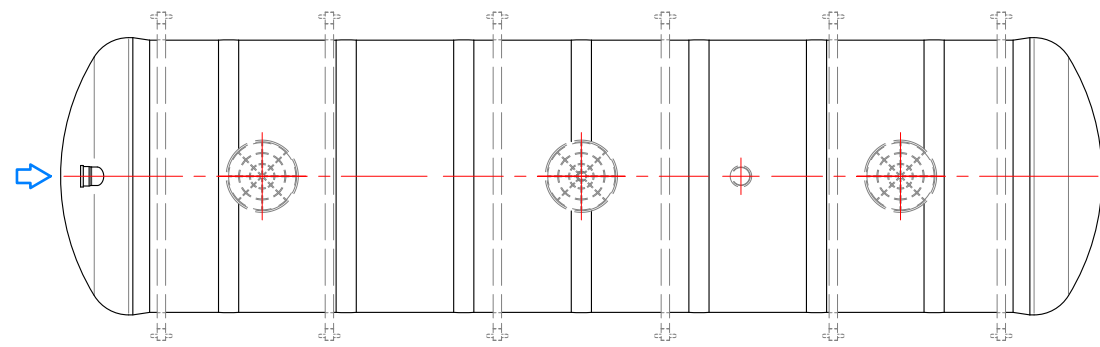
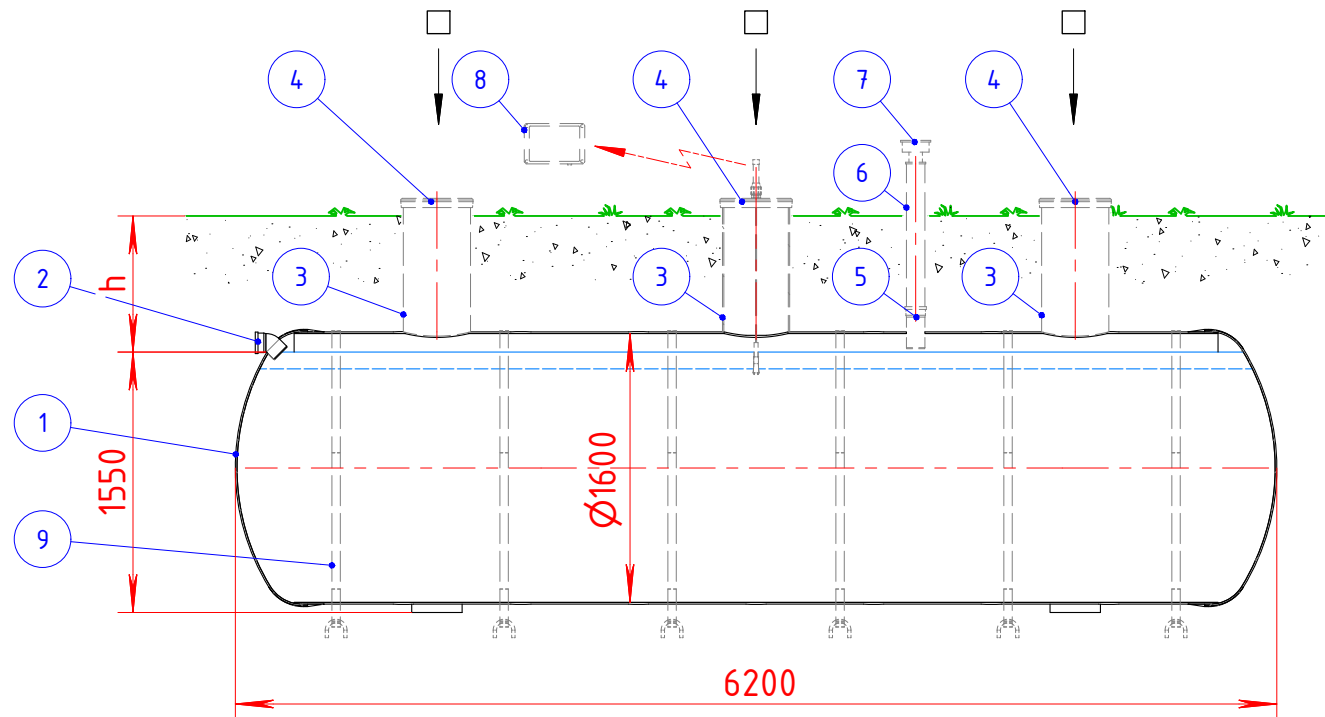


Mark the location of the maintenance shaft
(tick appropriate box)



h = _____ mm (installation height, max. 1500 mm)

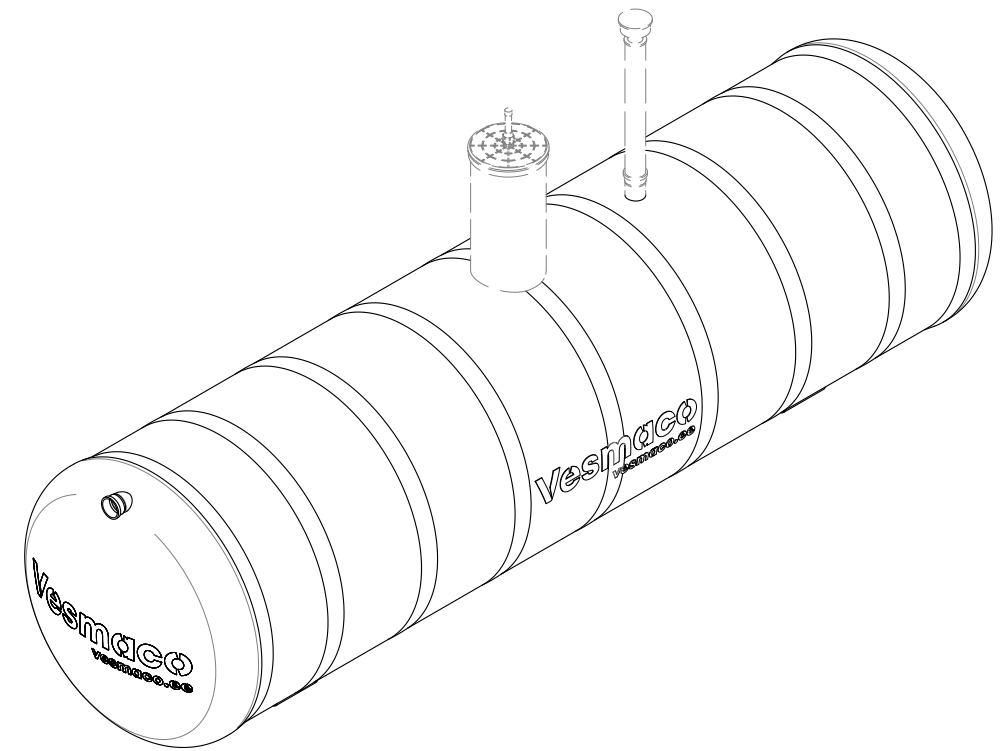
Approved by the client:

_____ 20_____, _____
(date) (client's representative)

For installation instructions, check "Installation Manual for Underground Horizontal Tanks of Glass-Reinforced Plastics (GRP)" or special instructions provided with the product.

Positions of anchoring and anchor straps are shown as example and might vary from those required in your case.

Vesmaco OÜ reserves the right to make unilaterally changes.



Order approval form (to be filled by Vesmaco)

Product number	Readiness date
Approved by (name and signature)	

1	Cesspool MK-12	Ø1600×6200 mm	1
	Glass-reinforce plastic (GRP) "Vesmaco Composite", pH 3-10, heat resistance max 40°C		
	Total volume	12000 l	
2	Inlet pipe (tick appropriate box)	PVC NAL	1
		D110 <input type="checkbox"/>	
		D160 <input type="checkbox"/>	
3	Maintenance shaft (tick appropriate box)		1
	Pipe PVC D200, h= 500...1000 mm <input type="checkbox"/>		
	OPTION: Pipe PVC D400, h= 500...1000 mm <input type="checkbox"/>		
	OPTION: Shaft GRP D600, h= 500...1500 mm <input type="checkbox"/>		
4	Cover (tick if appropriate)		(1)
	Plastic cap <input type="checkbox"/>		
	OPTION: Cover (EN 124) — class A15 (1,5 t) <input type="checkbox"/> / B125 (12,5 t) <input type="checkbox"/> / C250 (25 t) <input type="checkbox"/> / D400 (40 t) <input type="checkbox"/>		
5	Ventilation pipe connection <input type="checkbox"/> (tick if appropriate)	PVC	(1)
6	OPTION: Ventilation pipe <input type="checkbox"/> (tick if appropriate)	PVC	(1)
7	OPTION: Anti-odour air filter <input type="checkbox"/> (tick if appropriate)		(1)
8	OPTION: High level alarm device <input type="checkbox"/> (tick if appropriate)		(1)
9	OPTION: Anchor strap with tensioner <input type="checkbox"/> (tick if appropriate)	Polyester/GST	(6)
		L= 5,5+0,5 m	

Title, Supplementary title
Cesspool MK-12 Ø1600×6200

A3 1 : 45

Vesmaco Vesmaco OÜ Katusepapi 6, 11412 Tallinn, Estonia www.vesmaco.ee	910016120_MK-12_D1600-L6200_EN		
	Document type	Document status	
	General assembly drawing	Released	
Article number	Date of issue	REV	1/1
910016120	30.09.2022	1.1	