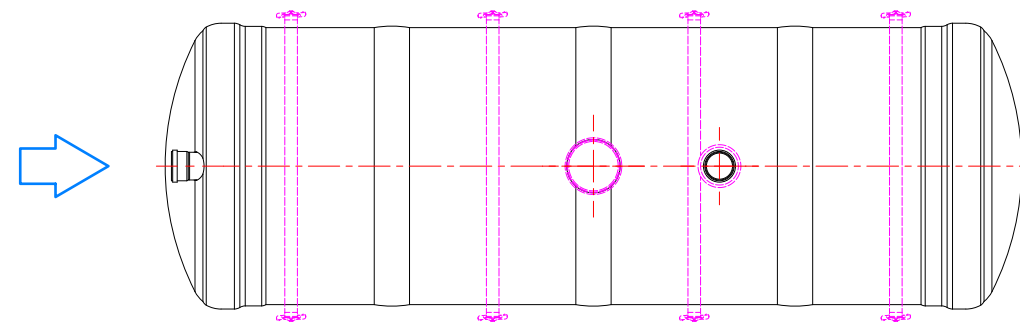


Order approval form (to be filled by Vesmaco)

Product number	Readiness date
Approved by (name and signature)	



h = _____ (installation height, max. 1500 mm)

Approved by the client:
 _____ 20____, _____
 (date) (client's representative)

9	OPTION: Anchor strap with tensioner <input type="checkbox"/> (tick if appropriate)	Polyester/GST	L=5,5+0,5 m	(4)
8	OPTION: High level alarm device <input type="checkbox"/> (tick if appropriate)			(1)
7	OPTION: Ventilation pipe with anti-odour filter <input type="checkbox"/> (tick if appropriate)			(1)
6	OPTION: Ventilation pipe <input type="checkbox"/> (tick if appropriate)			(1)
5	Ventilation pipe connection	PVC	D110	1
4	Cover (tick if appropriate)			(1)
	Plastic cap <input type="checkbox"/>			
3	OPTION: Cover (EN 124) – class A15 (1,5 t) <input type="checkbox"/> / B125 (12,5 t) <input type="checkbox"/> / C250 (25 t) <input type="checkbox"/> / D400 (40 t) <input type="checkbox"/>			1
	Maintenance shaft (tick appropriate box)			
	Pipe PVC D200, h= 500...1000 mm <input type="checkbox"/>			
	OPTION: Pipe D400, h= 500...1000 mm <input type="checkbox"/>			
	OPTION: Shaft D600, h= 500...1500 mm <input type="checkbox"/>			
2	Inlet pipe (tick appropriate box)	PVC NAL	D110 <input type="checkbox"/> D160 <input type="checkbox"/>	1
1	Cesspool MK-3 D1100 L3400		Ø1100×3400 mm	1
	Glass-reinforce plastic (GRP) "Vesmaco Composite", pH 3-10, heat resistance max 60°C			
	Total volume		3000 l	

Title, Supplementary title
 Cesspool 3 m³ D1100 L3400

Size
 A3

Scale
 1 : 30

Vesmaco Vesmaco OÜ Katusepapi 6, 11412 Tallinn, Estonia www.vesmaco.eu	910011030B_MK-3_D1100-L3400_EN		
	Document type General assembly drawing	Document status Released	
	910011030	Date of issue 15.08.2025	REV B

Installation must be carried out in accordance with the Vesmaco installation manuals.
 Vesmaco reserves the right to make unilateral changes.